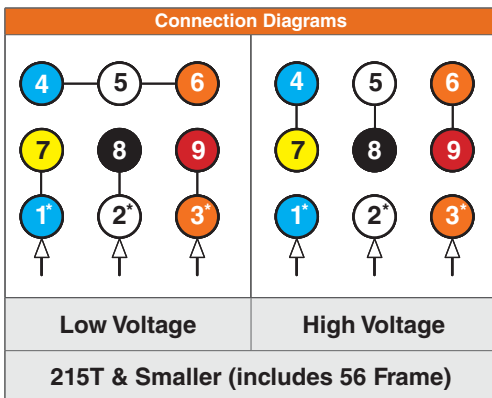


Techtop Motor Connection Diagrams

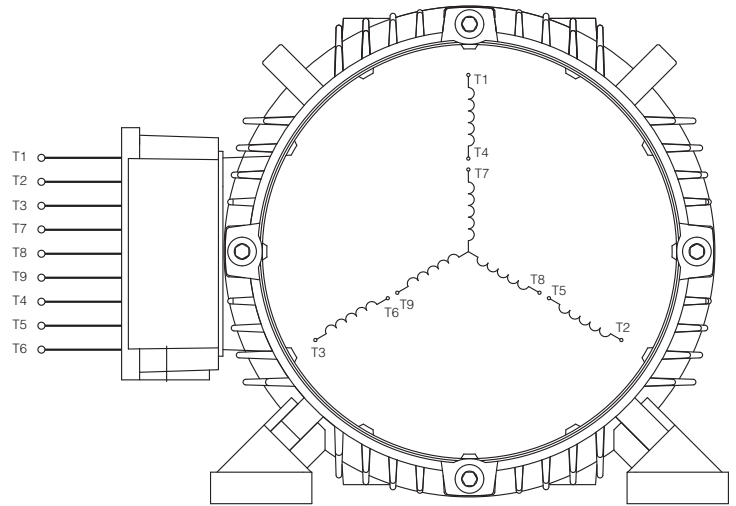
NEMA Three Phase Wiring Diagrams (Reference Only)



3 Phase NEMA YY/Y 9 Lead 230/460V

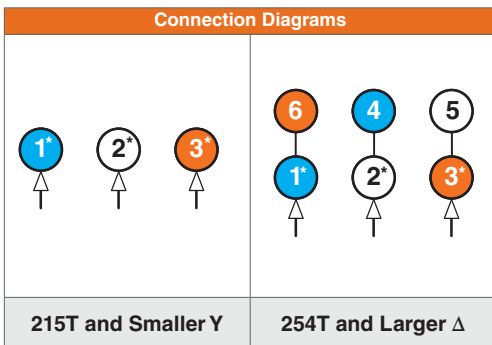


Wire	Color
T1, T4	Blue
T5, T2	White
T6, T3	Orange
T7	Yellow
T8	Black
T9	Red

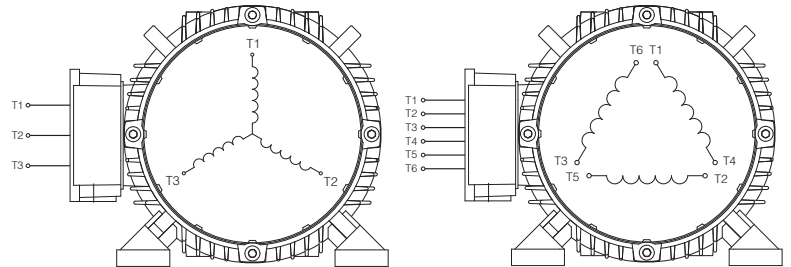


When motor is in F1 position, leads shown with "*" exit the casing above the center line of the motor, the remaining leads exit below the center line. This information can be used to identify missing or mislabelled leads.

3 Phase NEMA Single Voltage 575V or 460V

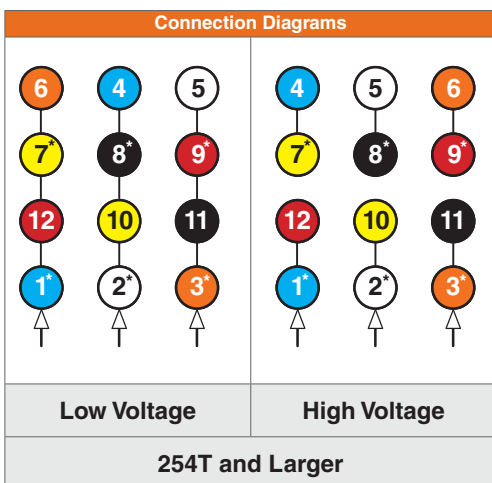


Wire	Color
T1, T4	Blue
T5, T2	White
T3, T6	Orange

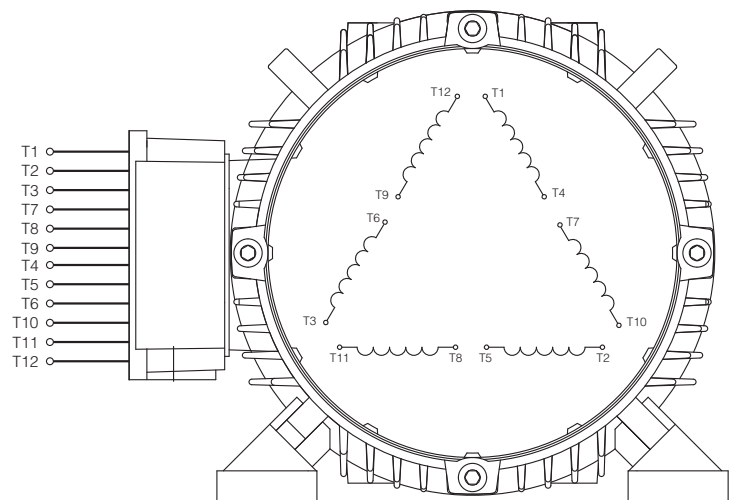


When motor is in F1 position, leads shown with "*" exit the casing above the center line of the motor, the remaining leads exit below the center line. This information can be used to identify missing or mislabelled leads.

3 Phase NEMA ΔΔ/Δ 12 Lead 230/460V



Wire	Color
T1, T4	Blue
T5, T2	White
T3, T6	Orange
T7, T10	Yellow
T8, T11	Black
T9, T12	Red



When motor is in F1 position, leads shown with "*" exit the casing above the center line of the motor, the remaining leads exit below the center line. This information can be used to identify missing or mislabelled leads.